

17" Desktop TouchMonitor



World Leading
GENERAL TOUCH
Touch Solutions
Provider

17" Desktop TouchMonitor

LCD desktop monitors supplied by GeneralTouch are designed to offer quality touch solutions for VAR's and system integrators. Focussed on the fast-changing retail POS and hospitality markets, they provide reliable and long lasting operation.

Being totally designed and built in house by GeneralTouch, all aspects of the design from the mechanical parts to future upgrading of the LCD panels can be controlled so as not to change the overall form, fit and function which in turn means no external changes for our customers.

The DTL173 is supplied with the following touch technology options:

Pure glass Surface Acoustic Wave (SAW) technology, the ultimate in optical quality for retail and hospitality applications

Resistive technology, the most widely used technology for retail applications and proven to survive splashed liquids, food and grease.

Features

Ergonomically designed housing with bezel sealed against dirt and dust

Stable tilt base designed for touch.

Long lasting product cycle: Mechanical parts controlled in house by GeneralTouch so that future upgrades do not bring external size changes

Mounting functions include Desktop, removable base VESA and wall mount

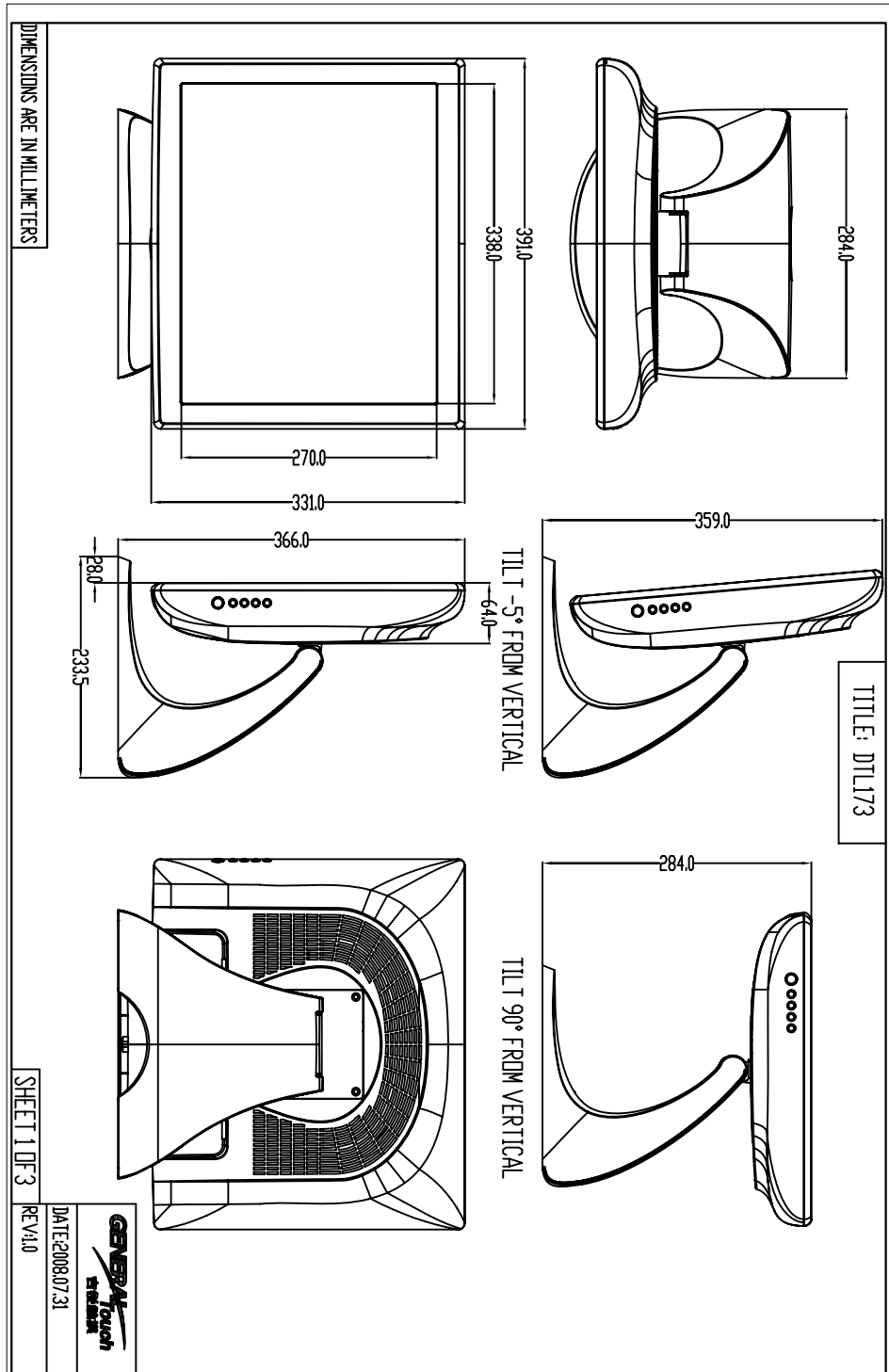
Supplied with Serial and USB touch interface

Multilingual On Screen Display (OSD)

TouchMonitor Datasheet

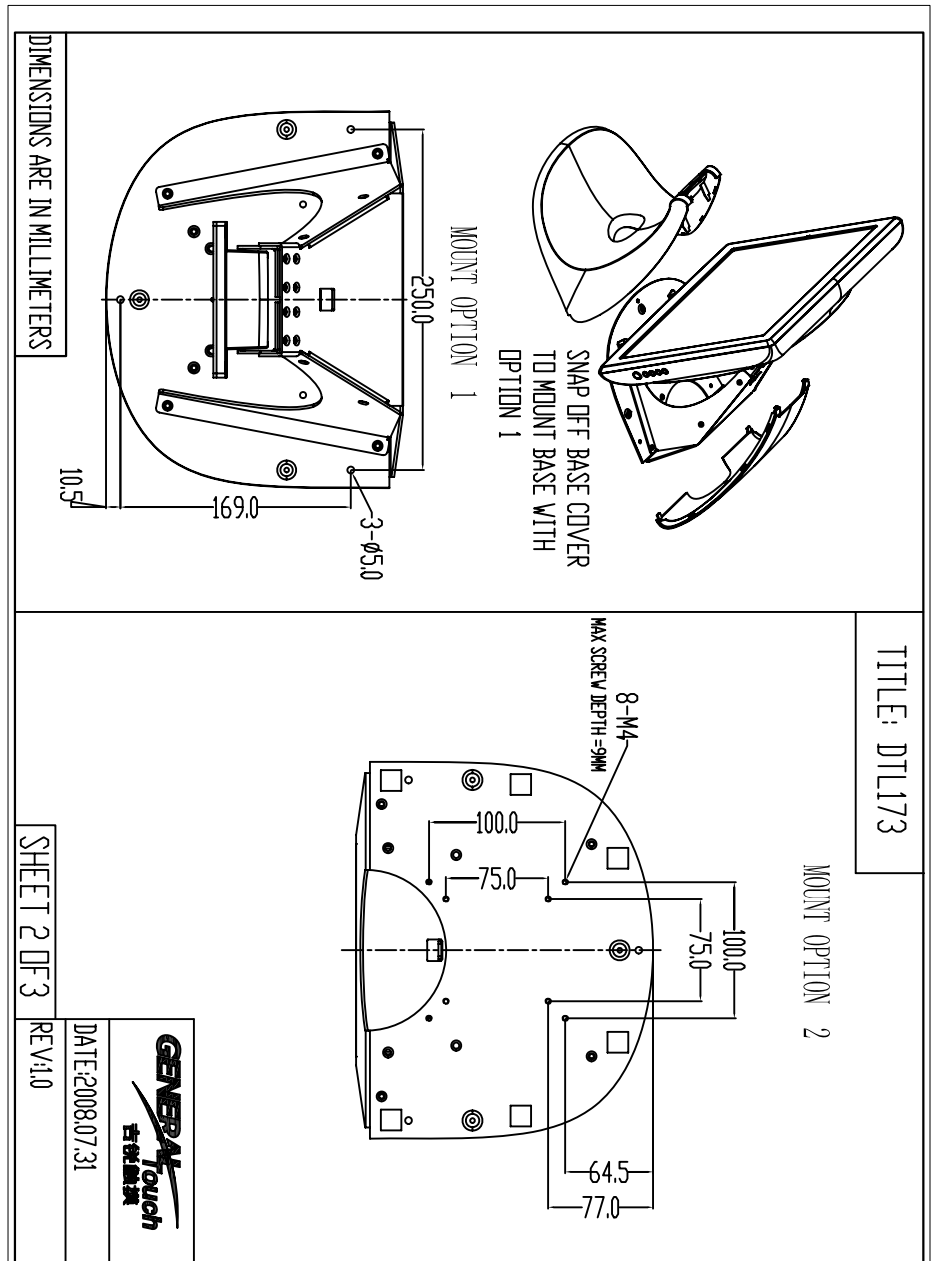
Desktop DTL173

DTL 173 Drawing



World Leading
GENERAL
Touch Solutions
Provider

DTL 173 Drawing



Touch Your **IMAGINATION** Today

TouchMonitor Datasheet

Desktop DTL173

Available Touchscreen options

Glass Type Thickness	Normal Strength 3mm
Surface Treatment	Clear (polished)
Touchscreen Type	BevelTouch SAW
	Resistive

Accessories

VGA Video cable
 Serial and USB cable
 Power Supply Adaptor
 Power Lead (US,EU or UK type)
 Software CD
 User Manual (English only)

Typical Applications

Retail
 Point of Sale (POS)
 Point of Informantion (POI)
 Countertop Kiosk
 Hospitality

World Leading
GENERAL Touch Solutions
 Provider

TouchMonitor Datasheet

Desktop DTL173

Specification

Model	DTL173	
Description	17" TFT Desktop Touch Monitor	
Case/Bezel Colour	Black	
Touchmonitor Performance	Standard	
Display Type	4:3 Ratio 17" Active Matrix TFT LCD	
Active Display Area	338mm x 270mm	
Native Resolution	1280 x 1024 @ 60Hz	
Synchronization Range	30-80 KHz horizontal, 60-75 Hz Vertical	
Pixel Pitch	0.264 x 0.264 mm	
Pixel Response Time	Rise + Fall (Typically)	16ms
Plug and Play	VESA DDC 1/2B	
On Screen Display (OSD)	Internal Interface Cable	
Colours	16.7 million	
Brightness (LCD Panel)	250 cd/m2	
Contrast Ratio	Typically	1000:1
Viewing Angle	Horizontal (left/right)	160°(80°/80°)
(From Centre, CR>=10)	Vertical (up/down)	160°(80°/80°)
Backlight Lamp life	Hrs to ½ brightness	50,000
Input Video Format	Analog (VGA)	
Touch Technology	Surface Acoustic Wave (SAW) or Resistive	
Touchscreen Interface	Dual Serial/USB	
Touch Response Time	Serial/USB	10.4ms/10ms
Touch Sensitivity	Fixed	
Monitor Dimensions	391x366x234(mm)	
Shipping Carton Dimensions	445x445x300(mm)	
Weight (approximately)	Monitor/Shipping	6.2kg/8.8kg
Mounting Options	Desktop, Wall Mount, VESA 75 & 100mm	
Power Supply	External: 85-265V, 47-63 Hz	
Power Consumption	50 W Max	
Temperature Range	Operating:0°C-40°C, Storage:-20°C-60°C	
Relative Humidity	Non Condensing	Operating:20%-80%, Storage 10%-90%
Warranty	3 years *	
Agency Approvals	FCC, CE, UL, RoHS, CCC	

* Except for LCD panel 1 year

GeneralTouch Technology Co., Ltd
 NO.6 Keyuan South Road, High-Tech Zone,
 Chengdu, China
 Zip Code: 610041

Tel: (86)28-85124114
 Fax: (86)28-85124115

GeneralTouch Technology-USA Co., Ltd
 11860 Goldring Road, Unit A, Arcadia, Ca91006, USA

Tel: (626)359-3412
 Fax: (626)359-3464

Email: sales@generaltouch.com

GeneralTouch Technology Co. Ltd. reserves the right to change or update, without notice, the information contained in this document and to discontinue or limit the production and distribution of any products.

World Leading
GENERAL Touch Solutions
 Provider